

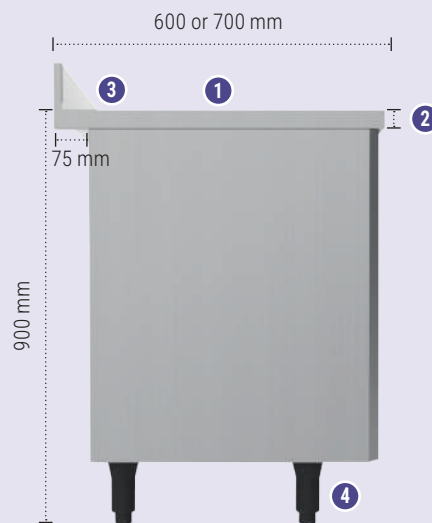
# FURNITURE

## Comfort furniture with straight edges

The "Comfort" range is designed for small-scale catering sites as well as restaurants. Functional, this range is designed to offer an excellent quality/price ratio with a limited number of items.



**SCAN ME**  
and download all the technical  
datasheets of the range!



- 1 Work top in stainless steel, reinforced with a 19mm thick water-resistant melamine panel
- 2 Straight edges dropped 40 mm. Folded corners
- 3 Flat backsplash 100 x 20 mm (rear not closed)
- 4 Black ABS feet Ø 40 mm, H 155 mm adjustable up to 70 mm (maxi height 220)

### FOCUS ON...



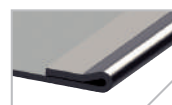
Folded corners



**ROBUSTNESS:** Cut reinforcing sections

**HYGIENE:** Hanging sliding doors without lower rail

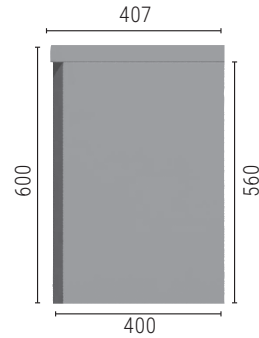
**SAFETY:** Crushed folds non-harmful



## Standard wall cupboards

- Stainless steel
- 2 hanging sliding doors
- 1 internal adjustable shelf
- **With lock**

- Flat top (sloping top page 98)
- Max. load: 50 kg distributed over the shelf
- Supplied assembled with flat-top wall fixtures



HEIGHT 600		
L X D mm	Kg	Ref.
1000 x 407	31	<b>MM110</b>
1200 x 407	36	<b>MM112</b>
1400 x 407	43	<b>MM114</b>
1500 x 407	46	<b>MM115</b>
1600 x 407	49	<b>MM116</b>
1800 x 407	54	<b>MM118</b>
2000 x 407	60	<b>MM120</b>
2200 x 407	66	<b>MM122</b>

Shipping within 48h

► **CUSTOMIZED LENGTH** (2200 mm max.) /  
Price of the lower length x 1,15

### OPTIONAL : WITHOUT DOOR

Add SP to the end of the reference.  
Example : MM114SP = MM114 without door

## Optional : GN1/3 Stainless steel container



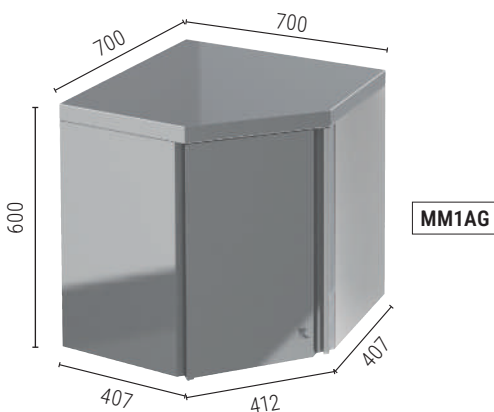
MMSBAC

- i**
- Length 1000 : max. 4 containers
  - Length 1200 : max. 5 containers
  - Length 1400 : max. 6 containers
  - Length 1500 : max. 6 containers
  - Length 1600 : max. 7 containers
  - Length 1800 : max. 8 containers
  - Length 2000 : max. 9 containers
  - Length 2200 : max. 10 containers

GN1/3 STAINLESS STEEL CONTAINER	Ref.
Depth: 100 mm - Supplied with set of 2 runners To fix by yourself under the wall cupboard MM serie	<b>MMSBAC</b>

Shipping within 48h

## Corner wall cabinet



- Stainless steel
- Doubled door
- Flat top
- 1 hinged door (width 412 mm) with internal handle and right or left hinge
- **With lock**
- 1 internal adjustable shelf

HEIGHT 600 mm		RIGHT HINGE	LEFT HINGE
L X D mm	Kg	Ref.	Ref.
(700 x 700) x 407	25.6	<b>MM1A</b>	<b>MM1AG</b>



## Standard low cabinet

- Stainless steel
- Schematic and dimensions page 91
- 2 hanging sliding doors - Internal handles
- **With lock**
- Central top or with backsplash
- 1 internal adjustable shelf
- Max. load: 50 kg divided over the shelves
- Supplied with the top fitted

### Width 600 mm



WIDTH 600			
Height 900		WITH CENTRAL TOP ON ABS FEET	WITH BACKSPLASH ON ABS FEET
L X D mm	Kg	Ref.	Ref.
1000 x 600	51	<b>MC1610</b>	<b>MD1610</b>
1200 x 600	62	<b>MC1612</b>	<b>MD1612</b>
1400 x 600	72	<b>MC1614</b>	<b>MD1614</b>
1600 x 600	82	<b>MC1616</b>	<b>MD1616</b>
1800 x 600	93	<b>MC1618</b>	<b>MD1618</b>
2000 x 600	103	<b>MC1620</b>	<b>MD1620</b>
2200 x 600	113	<b>MC1622</b>	<b>MD1622</b>

### Width 700 mm



WIDTH 700			
Height 900		WITH CENTRAL TOP ON ABS FEET	WITH BACKSPLASH ON ABS FEET
L X D mm	Kg	Ref.	Ref.
1000 x 700	59	<b>MC110</b>	<b>MD110</b>
1200 x 700	70	<b>MC112</b>	<b>MD112</b>
1400 x 700	82	<b>MC114</b>	<b>MD114</b>
1500 x 700	88	<b>MC115</b>	<b>MD115</b>
1600 x 700	94	<b>MC116</b>	<b>MD116</b>
1800 x 700	106	<b>MC118</b>	<b>MD118</b>
2000 x 700	118	<b>MC120</b>	<b>MD120</b>
2200 x 700	127	<b>MC122</b>	<b>MD122</b>

Shipping within 48h

► **CUSTOMIZED LENGTH** (2200 mm max.) / Price of the lower length x 1,15

**With sink see page 36**

## Options

OPTIONS FOR LOW FURNITURE	Ref.
4 stainless steel feet H 155 mm - Add X to the end of the reference	.../X
Semi-mobile option : 2 castors stainless cover without brake and 2 stainless adjustable legs - Add SMX to the end of the reference	.../SMX
4 stainless steel castors* Ø 125 mm (2 with brake) - Add RX to the end of the reference	.../RX
Without door - Add SP to the end of the reference - No extra cost	.../SP

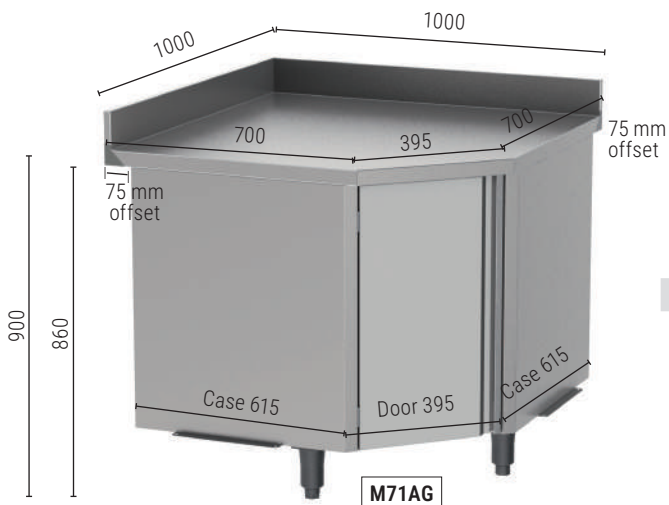
\* Optional stainless steel castors available on low furniture 700 mm width only.



Low furniture are available in passthrough version page 94.

## Corner low cabinet for 700 mm furniture

- Stainless steel
- 1 hinged doubled door (without lock)
- Right or left hinge
- Top with backsplash included (straight edges dropped 40 mm)
- 1 internal low shelf
- Black ABS feet Ø 40 mm, H 155 mm adjustable up to 70 mm



Height 900 mm		RIGHT HINGE	LEFT HINGE
L X D mm	Kg	<b>Ref.</b>	<b>Ref.</b>
(1000 x 1000) x 700	66	<b>M71A</b>	<b>M71AG</b>

## Passthrough low cabinet

- Stainless steel - Central top
- **4 hanging sliding doors** - 1 internal adjustable shelf
- Strength provided by a laminated double face 19 mm panel
- **With locks**
- Max. load: 50 kg split over each shelves



Height 900 mm		ON ABS FEET	ON STAINLESS STEEL CASTORS
L X D mm	Kg	<b>Ref.</b>	<b>Ref.</b>
1000 x 700	59	<b>MC110T</b>	<b>MC110TRX</b>
1200 x 700	67	<b>MC112T</b>	<b>MC112TRX</b>
1400 x 700	76	<b>MC114T</b>	<b>MC114TRX</b>
1600 x 700	84	<b>MC116T</b>	<b>MC116TRX</b>
1800 x 700	93	<b>MC118T</b>	<b>MC118TRX</b>
2000 x 700	101	<b>MC120T</b>	<b>MC120TRX</b>
2200 x 700	110	<b>MC122T</b>	<b>MC122TRX</b>

## Ventilated heating low cabinet

- Stainless steel
- Hanging sliding doors
- 1 internal adjustable shelf, max. load : 50 kg distributed over the shelf
- Double skin top and doors, non insulated
- Power: 2 kW - 230 V single phase - Max. temperature: 85°C
- **With lock**
- Black ABS feet H 155 mm adjustable up to 70 mm



Height 900 mm		WITH CENTRAL TOP	WITH BACKSPLASH 100X20	
L X D mm	Kg	<b>Ref.</b>	Kg	<b>Ref.</b>
1400 x 700	91	<b>MEC114</b>	92	<b>MED114</b>
1600 x 700	101	<b>MEC116</b>	102	<b>MED116</b>
1800 x 700	112	<b>MEC118</b>	113	<b>MED118</b>

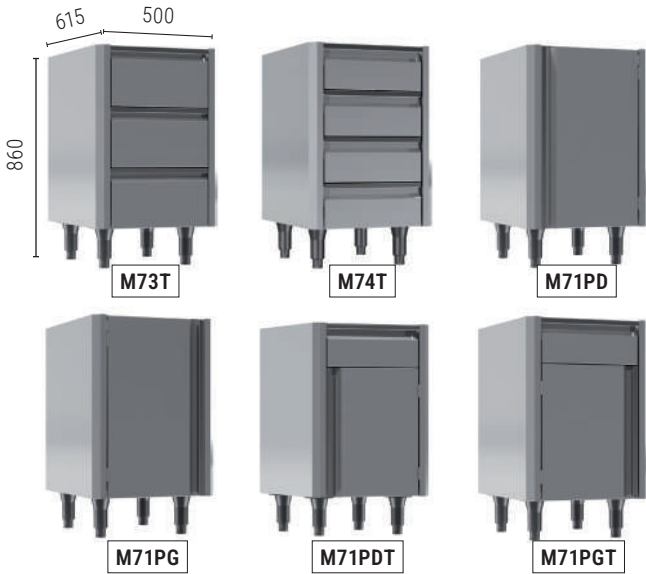


## Low furniture without work top

- Stainless steel
- On composite feet Ø 40 mm height 155 mm, adjustable up to 70 mm (max. height 220 mm)
- Doubled swing doors, no lock - Internal handles
- Dimensions of the body without work top : width 615 mm x height 860 mm (feet included)
- Dimensions with work top : width 700 x height 900 mm

**Mix and match!**  
Organise your space as you need by combining several units and a work surface

### Length 500 mm without work top - with hinged door and/or drawers

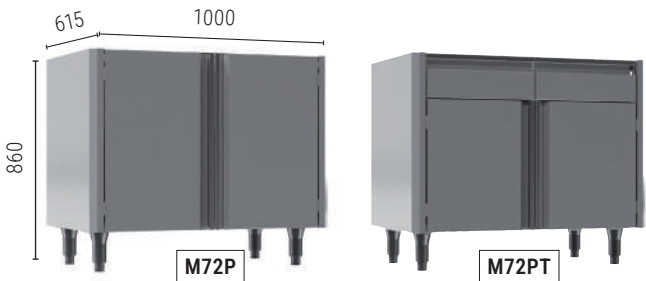


- Adjustable inner shelf (on M71PD, M71PG and M72P)

LENGTH 500		
Designation	Kg	Ref.
3 drawers GN1/1	30	<b>M73T</b>
4 drawers GN1/1	33	<b>M74T</b>
1 hinged door (right hinges)	28	<b>M71PD</b>
1 hinged door (left hinges)	28	<b>M71PG</b>
1 hinged door + 1 drawer (right hinges)	30	<b>M71PDT</b>
1 hinged door + 1 drawer (left hinges)	30	<b>M71PGT</b>

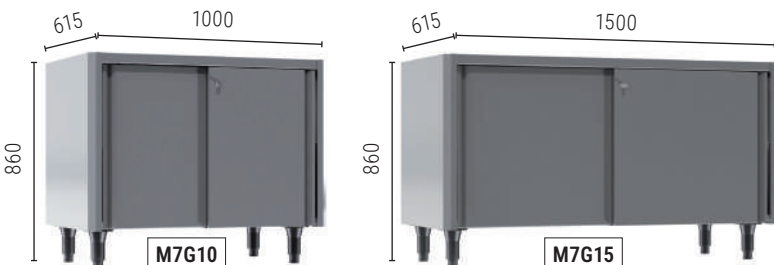
**+** Double panel doors

### Length 1000 mm without work top - with hinged doors and/or drawers



LENGTH 1000		
Designation	Kg	Ref.
2 hinged doors	56	<b>M72P</b>
2 hinged doors + 2 drawers	60	<b>M72PT</b>

### Length 1000 or 1500 mm without work top - with sliding doors



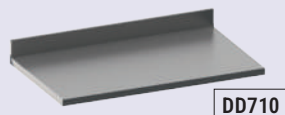
- Suspended sliding doors, no doubled, with lock
- Adjustable inner shelf

LENGTH 1000 or 1500		
Designation	Kg	Ref.
2 sliding doors length 1000 mm	56	<b>M7G10</b>
2 sliding doors length 1500 mm	80	<b>M7G15</b>

### Straight edge stainless steel work top, width 700 mm

(to be added to the references above)

- Dropped 40 mm, reinforced with an adhesive water-resistant melamine panel



Length mm	Kg	CENTRAL TOP	WITH BACKSPLASH*
		Ref.	Ref.
500	10.3	<b>DC705</b>	<b>DD705</b>
1000	20.6	<b>DC710</b>	<b>DD710</b>
1500	30.8	<b>DC715</b>	<b>DD715</b>
2000	41	<b>DC720</b>	<b>DD720</b>

\* Flat backplash 100 x 20 mm (rear not closed)

## Low furniture combination

### Length 500 mm



M05A = M71PDT + DD705



M05B = M73T + DD705

LENGTH 500		
L x D x H mm	Kg	Ref.
500 x 700 x 900	38.3	M05A
	40.3	M05B

### Length 1000 mm



M10A = M72P + DD710



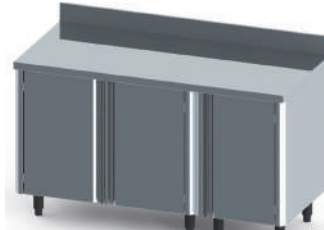
M10B = M74T + M71PD + DD710

LENGTH 1000		
L x D x H mm	Kg	Ref.
1000 x 700 x 900	76.6	M10A
	81.6	M10B

### Length 1500 mm



M15A = M72PT + M74T + DD715



M15B = M72P + M71PD + DD715

LENGTH 1500		
L x D x H mm	Kg	Ref.
1500 x 700 x 900	119.8	M15A
	114.8	M15B

### Length 2000 mm



M20A = M73T + M72P + M74T + DD720



M20B = M71PGT + M72P + M74T + DD720



M20C = M71PD + M72PT + M74T + DD720



You would like another combination ?  
Choose your individual furnitures and a work top bench.  
And for your corner compositions, choose in addition the  
low corner cabinet Ref. M71A (G) (page 94)

LENGTH 2000		
L x D x H mm	Kg	Ref.
2000 x 700 x 900	160	M20A
	158	M20B
	158	M20C

## Options for low furniture

Designation	Ref.
4 stainless steel feet - Add X to the end of the reference	.../X
4 stainless steel castors Ø 125 mm (2 with brake) - Add RX to the end of the reference	.../RX
Rear backsplash closure	TFD